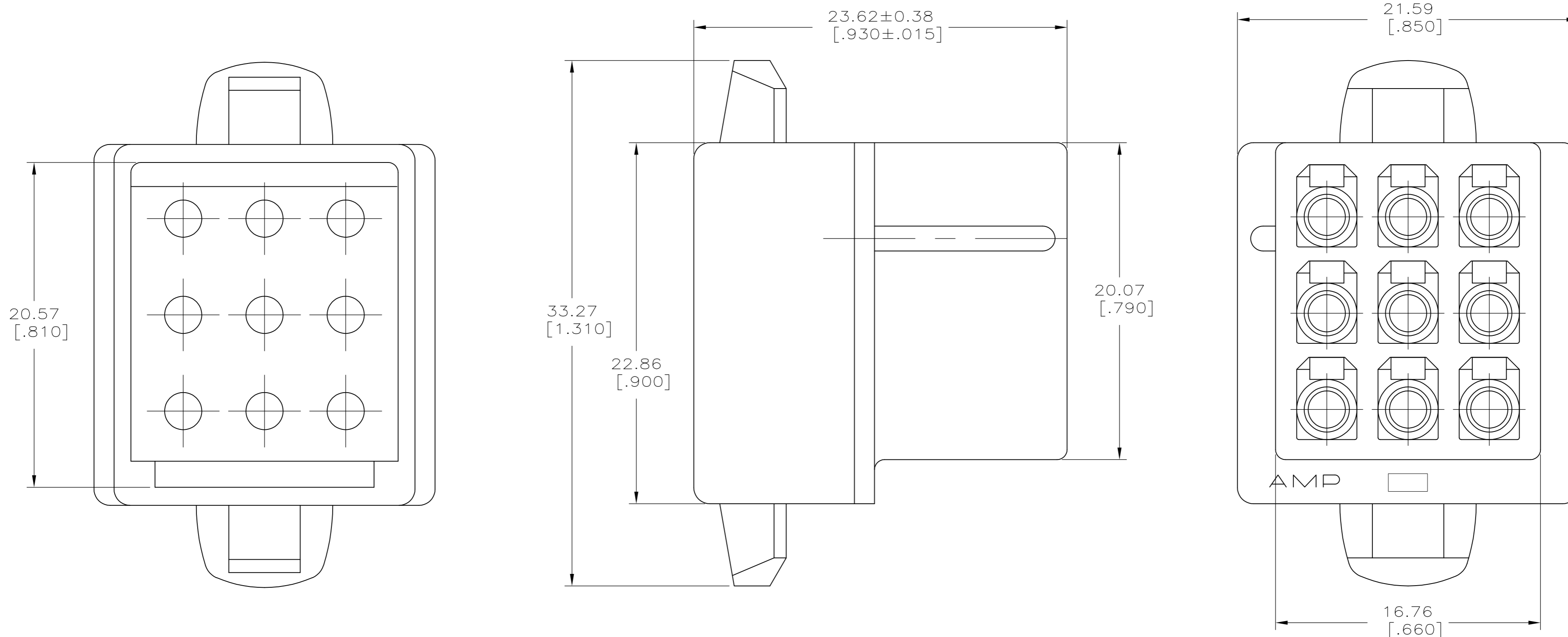


THIS DRAWING IS UNPUBLISHED. RELEASED FOR PUBLICATION  
 © COPYRIGHT BY TYCO ELECTRONICS CORPORATION. ALL INTERNATIONAL RIGHTS RESERVED.

LOC	DIST	REVISIONS			
P	LTR	DESCRIPTION	DATE	DWN	APVD
CM	00				
	K	REVISED PER ECO-09-019635	25NOV09	HMR	MS

- 1 TO BE USED WITH MATE-N-LOK PINS.
- 2 TO BE USED WITH PLUG 480274.



1-480277-0  
PART NO.

THIS DRAWING IS A CONTROLLED DOCUMENT.		DWN S. HOOVER 15-JAN-2004	Tyco Electronics Corporation Harrisburg, PA 17105-3608	
DIMENSIONS: mm [INCHES]		CHK D. COLEY 15-JAN-2004	NAME CAP, 9 CIRCUIT MATE-N-LOK™	
TOLERANCES UNLESS OTHERWISE SPECIFIED: 0 PLC ± 1 PLC ± 2 PLC ± 3 PLC ± 0.13 [.005] 4 PLC ± ANGLES ±		APVD D. COLEY 15-JAN-2004	SIZE A2	
MATERIAL		PRODUCT SPEC	CAGE CODE 00779	DRAWING NO C=480277
FINISH		APPLICATION SPEC	SCALE 5:1	SHEET 1 of 1
		WEIGHT	RESTRICTED TO -	REV K
		CUSTOMER DRAWING		